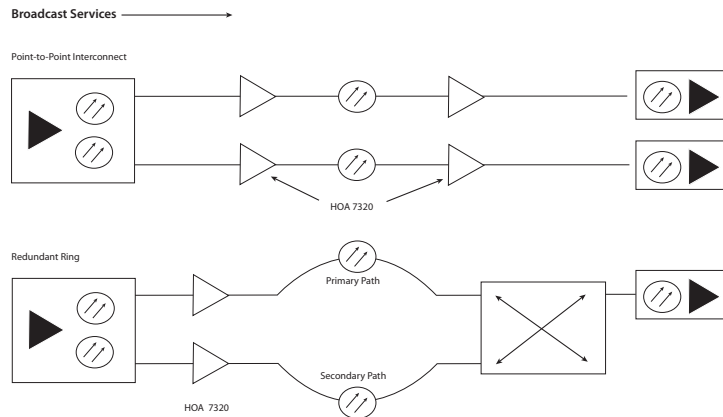


HIGHLIGHTS

- Low noise figure enables long distance transport with minimal signal degradation
- 20 dBm High Power Output
- Convenient 2-RU form factor
- Embedded SNMP agent (v1, v2c, v3)
- Support of SCTE HMC MIBs
- Embedded Web (HTTP) server for user friendly graphical interface

The Harmonic MAXLink™ transmission system is a family of transmitters and optical amplifiers designed for 1550 nm-based network applications. The MAXLink system provides a cost-effective solution for a variety of applications and architectures, including long haul applications that are beyond the reach of 1310 nm transmitters and fiber dense architectures which take advantage of high power optical amplifiers. In addition, this system is ideally suited for new, evolving transport architectures such as redundant rings, broadcast layer transmission, and hub interconnects used in broadband networks.

The MAXLink product line consists of 2-RU rack mount modules for 19" racks, including the HLT series of broadcast optical transmitters as well as a full range of optical amplifiers. The transmission system has been designed to complement Harmonic's PWRLink™ 1310 nm DFB transmitter family. Full monitoring and configuration are available through the embedded SNMP agent and HTTP server.



Typical Application

OPTICAL OUTPUT

| | |
|--------------------------------|---------------------------------|
| Wavelength Range | 1540 to 1564 nm |
| Input Power Range | -5 to +10 dBm |
| Output Power ¹ | 20 dBm |
| Optical Power Adjustment Range | 4 dB down from maximum |
| Noise Figure | < 4.5 dB at 0 dBm optical input |
| Optical Return Loss | > 40 dB ² |
| Polarization Sensitivity | < 0.5 dB |
| Laser Shutdown | Interlock on fiber tray |
| Connector Type | SC/APC or E2000 |

POWERING

| | |
|-------------|---------------------|
| AC Version | 110/220 V, 50/60 Hz |
| DC Version | -48 V |
| Consumption | 75 W maximum |

USER INTERFACE

| | |
|--------------------|--|
| Front Panel | LEDs Power (red,green) Status on (green) Laser output enabled (green) Laser on (green) |
| Optical Test Point | Power Level -3 to 0 dBm |
| Rear Panel | Power Supply Connector Laser enabled/off switch Low optical power mode manual switch LED Laser output enabled |

NETWORK MANAGEMENT

| | |
|---------------|--|
| SNMP Protocol | v1, v2c, v3 |
| HTTP Protocol | HTTP 1.1 (with Web browser-based authentication) |

ENVIRONMENTAL

| | |
|-----------------------------|-----------------------------------|
| Operating Temperature Range | -32° to +132° F 0° to +50° C |
| Storage Temperature Range | -40° to +158° F -40° to +70° C |
| Maximum Relative Humidity | 85%, non-condensing |

PHYSICAL

| | |
|------------------------|---|
| Dimensions (W x H x D) | 17.0" x 3.4" x 12.0" (2-RU) 43.2 cm x 8.6 cm x 30.5 cm |
| Weight | 20 lbs / 9.0 kg |

Notes:

1. 1550-1560 nm.
2. Amplifier off /output only.